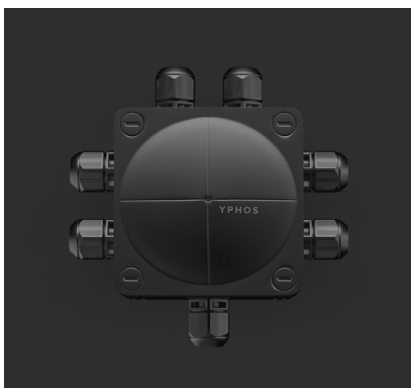




The Basic Control Hub by Yphos is a waterproof, 4-way junction box with an integrated fuse-holder, marine-grade relay and wireless connectivity via RF. It allows you to easily connect your lights and control them in a tidy, factory-tested and safe manner.

The basic hub allows you to turn on/off your lights via a dashboard switch¹ or a RF remote². You can connect up to 4 lights on the dedicated terminals of the PCB and use the fuses that came with your lights. Each light output has two status LEDs to quickly check the state of the fuse and the light output. The PCB module also offers dedicated Switch-In and Switch-Out terminals to chain multiple hubs and use as many lights as you want.

A set of waterproof cable glands, reducers and multi-cable inserts is included in the box to cover virtually any possible connection scenario, maintaining the IP rating of the enclosure and keeping your electrical connection safe & waterproof.



- Individual fuse holder for each light
- Marine-grade Relay
- Embedded RF Receiver with pairing button
- Double status LEDs for each light
- System power status LED light
- Switch input
- Switch output to chain more hubs
- Heavy-duty IP67 Construction
- Simple installation

2
Years
Warranty

Compatibility

Lights:

Model 01 01-WW19A, 01-BB19A

Model 03 03-WW1962, 03-BB1962, 03-WB1962

Model 03 RGBW Standalone 03-CC1962

Model 05 05-WW1962, 05-BB1962, 05-WB1962

Model 05 RGBW Standalone 05-CC1962

Accessories:

YPHOS Switch YSW-200

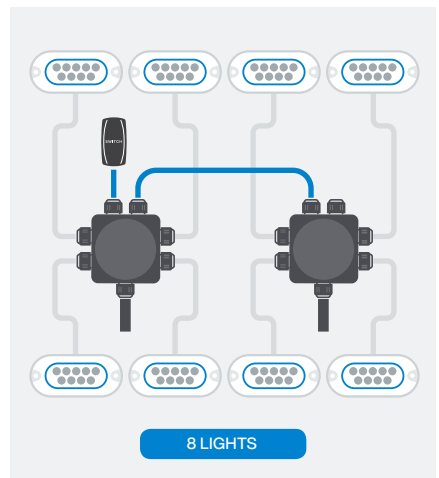
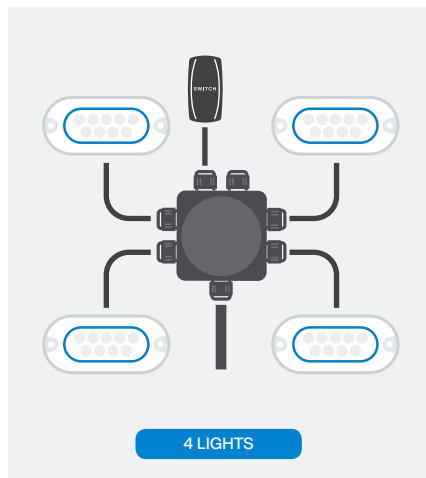
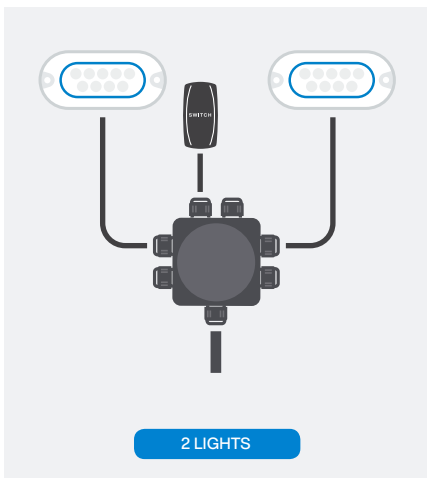
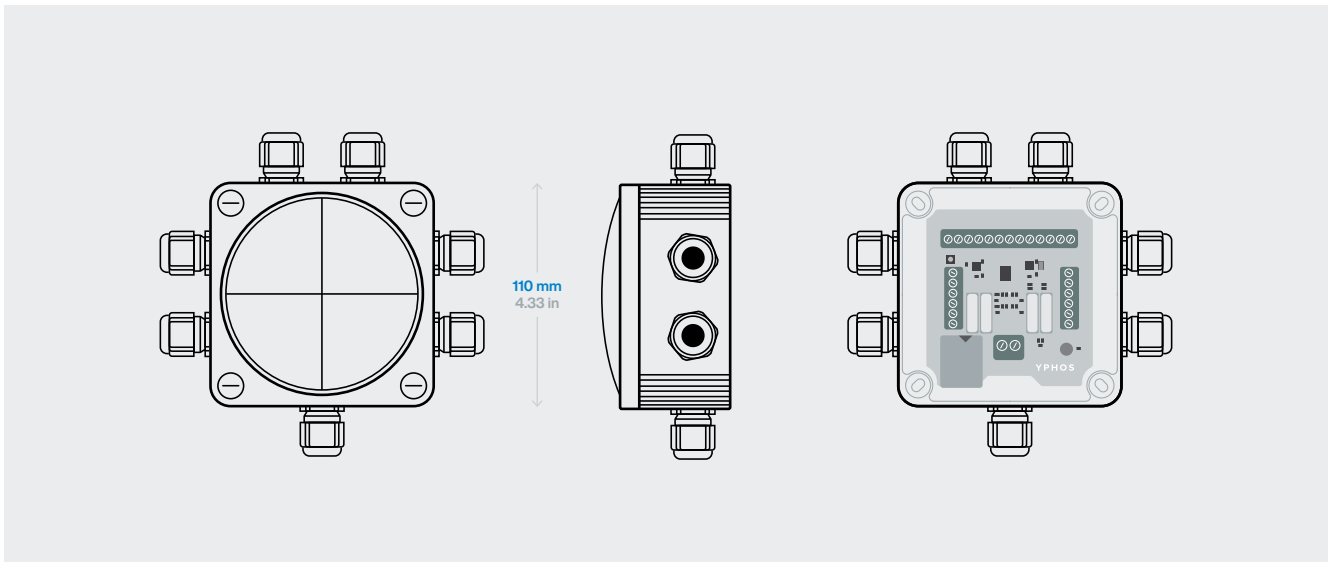
RF Remote YRF-400

RF Long Range External Antenna YRF-XT

¹Sold individually. The YPHOS Switch or any MOM Switch is recommended.

²Sold individually.

BASIC CONTROL HUB SPECIFICATIONS SHEET



Function

On / Off Electrical Control of 4 outputs simultaneously. The command is received from a Switch or a RF remote and can be propagated via the switch output to additional hubs.

RF Function

Mirrors Switch Input

Max. Current

40A (10A per light)

Voltage Input

12-24V DC

Voltage Output

12-24V DC (same as input)

Status LEDs

4 x Command Status (per light)
 4 x Result Status (after fuse, per light)
 1 x Power Status

Dedicated Terminals

Power In
 4 x Lights Out
 Switch In (mA) - MOM recommended
 Switch Out

IP Rating

IP67 when used with the provided cable glands and appropriate cables

Enclosure Material

Polypropelene, TPE

Enclosure Dimensions

110 x 110 x 66mm | 4.33" x 4.33" x 2.59"

Weight with all components

380g | 13.4ounces

Box Contents:

- PCB Module with internal RF Antenna
- IP67 Enclosure
- 4 x Cable Glands for lights - Type A
6-13mm cable (0.24" - 0.51")
- 3 x Cable Glands - Type B
9-17mm cable (0.35" - 0.67")
- 2 x Reducers for Type B
4-6.5mm cable (0.15" - 0.26")
- 1 x Reducer with dual output for type B
2 x 4-6mm cable (0.15" - 0.24")

Installation Manual